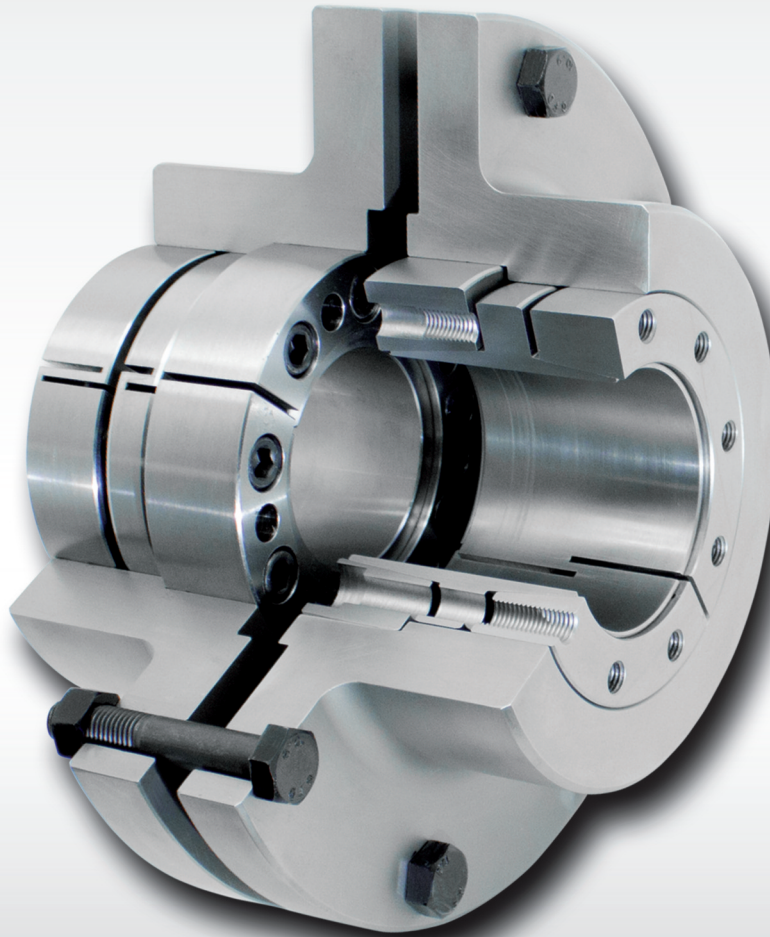


Tru-Line Flange-Couplings RFK

with backlash free cone-clamping-connections

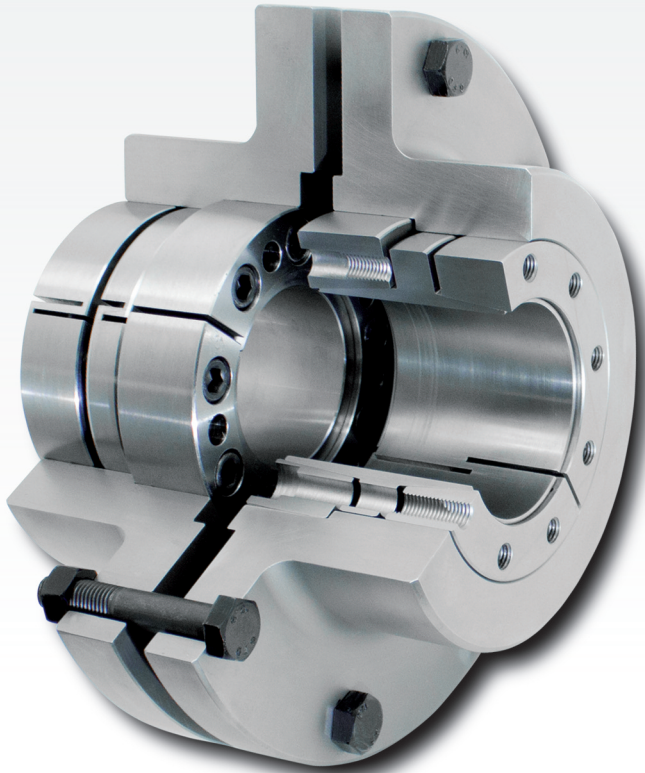


Quality Products • Competitive Price • Quick Delivery

Tru-Line Flange-Couplings RFK

with backlash free cone-clamping-connections

RINGSPANN®



Features

- Compact design
- Small axial space required for installation
- Fast disassembly for minimal downtime
- High shaft tolerance h8 permissible
- No weakening of shafts by feather keys
- No fretting corrosion as with keyway connections
- Proven solution in many applications, particularly in mining

Fields of application

A rigid and easy to disassemble shaft coupling solution for:

- Conveyor belts
- Elevators
- Bucket elevators
- Escalators and moving walkways
- Many other applications

Tru-Line Flange-Coupling RFK 350 F - 350 M

connects the gear of the drive unit to the head drum of an iron ore conveyor belt system in South Africa



Application

Tru-Line Flange-Couplings RFK are particularly suitable for coupling freely suspended motor gear units on a rocker with a torque support.

However, they can neither compensate radial-angle nor axial shaft misalignments. If this is required, then please use the Flexible Couplings L... described in catalog „Shaft Couplings“.