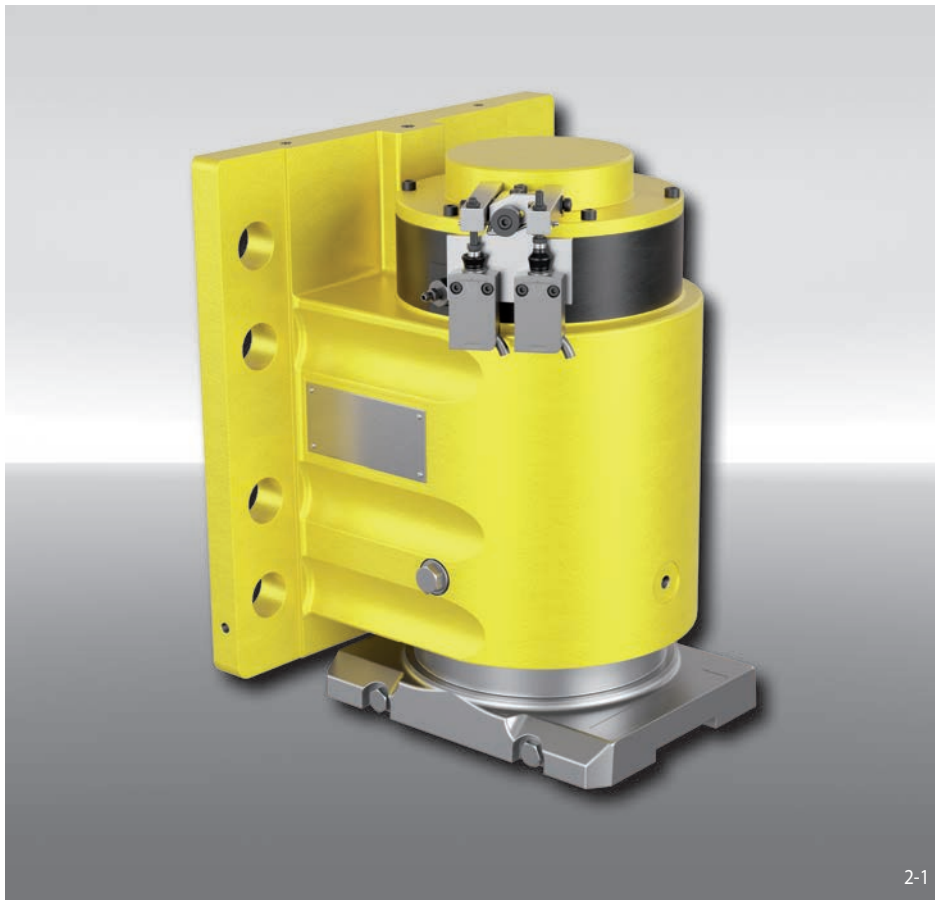


Rail Brake HR 130 FHM

spring activated – hydraulically released



Features

Features	Code
Brake	H
Rail	R
Frame size 130	130
Spring activated	F
Hydraulically released	H
Manual adjustment to accommodate friction block wear	M
Max. clamping force 200 kN	200

Example for ordering

Rail Brake HR 130 FHM,
max. clamping force 200 kN:

HR 130 FHM-200

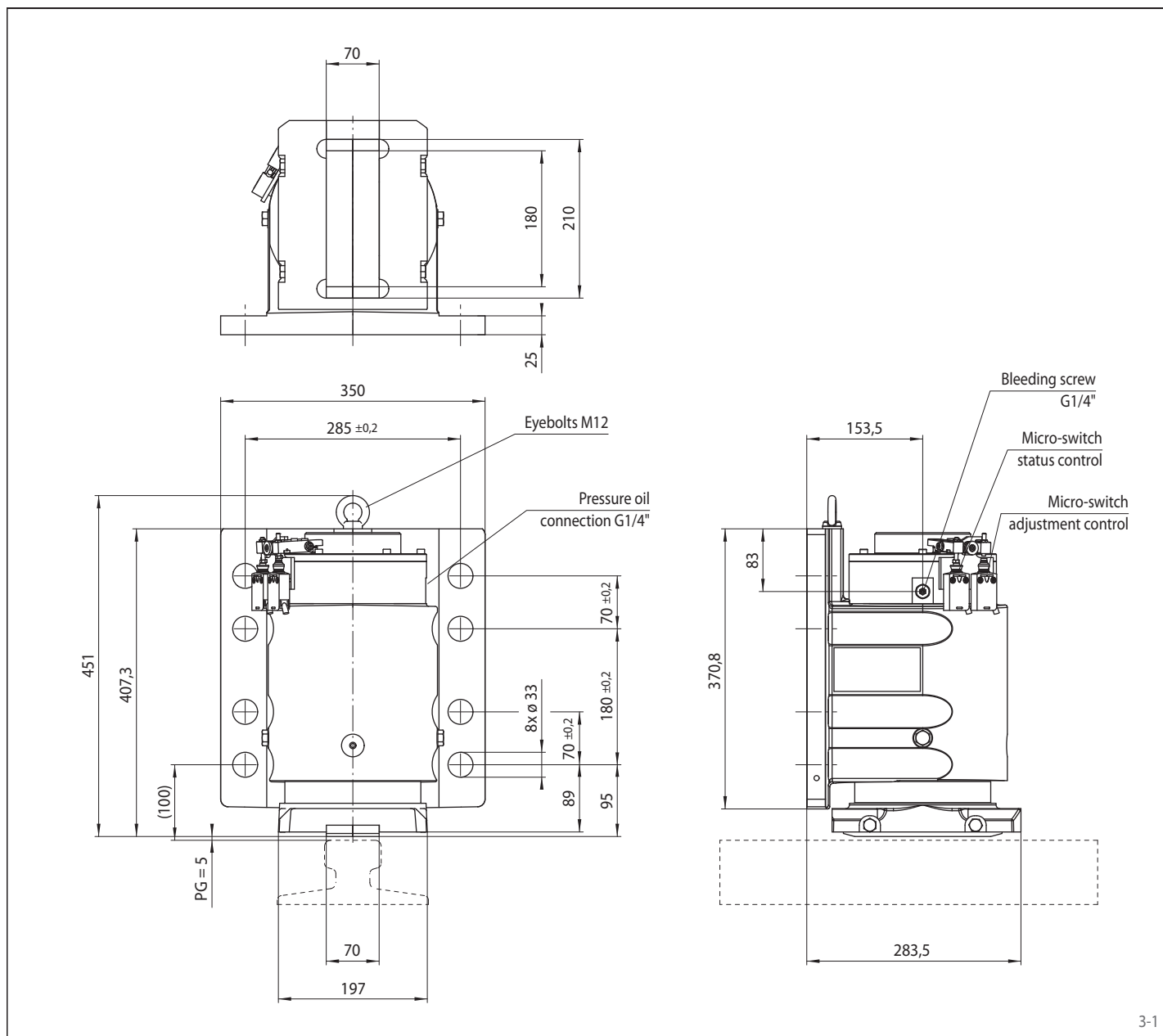
Technical Data

Braking force	110 kN
Clamping force on the rail	200 kN
Nominal pad gap (total)	5 mm
Oil pressure	min. 210 bar max. 230 bar
Oil volume	max. 90 cm ³
Weight	130 kg

Rail Brake HR 130 FHM

RINGSPANN®

spring activated – hydraulically released



Working conditions

- Ambient temperature: -20 °C / +60 °C
- Air humidity: <90%

Monitoring switch

- 240 VAC 1.5 A; 250 VDC 0.1 A
- Cable 5 x 0.75 mm², length 2 m, outer diameter 7.5 mm
- Protection type IP67

Options

- Assembly set (screw and washers)
- Stainless steel cover
- Seawater execution

Notes

- Fastening:
 - 8 screws M 30 class 8.8 (optional)
 - Cs: 1 280 Nm +/- 5% ; μ=0,15